

Multi-port Serial Cards

SENA



Features

- Supports Universal PCI based on the PCI Local Bus Spec 2.3
- Supports 2/4/8 ports with the standard-profile/low-profile form factors
- Supports RS232 or RS422/485 communication up to 921.6 Kbps
- Internal 256 byte deep FIFO for maximum performance
- 15KV surge protection
- Internal RS422/485 terminal resistors
- Fan-out cables with standard DB9 male connectors
- Supports Windows, Linux

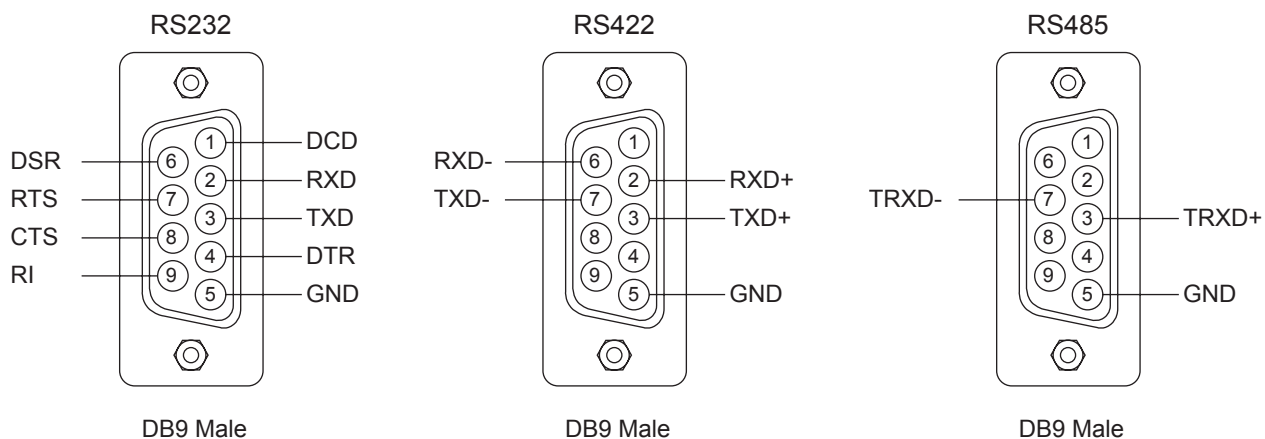
The DirectPort product family of universal PCI multiport serial cards is designed to provide flexible expansions of high performance serial ports to the computers to meet the diverse and unique requirements easily and cost-effectively.

The DirectPort universal PCI multiport serial cards are based on the PCI Local Bus Spec 2.3. They automatically set the I/O addresses and the IRQ numbers when ROM bios or the operating system starts.

All DirectPort serial cards support high speed serial speed up to 921.6 Kbps and are equipped with internal surge protection for maximum reliability. They also have internal 256 byte deep FIFO for communication stability.

The DirectPort product family provides the wide range of hardware combinations. Users can select different port counts among 2, 4 and 8 ports, different line interface between RS232 and RS422/485, and different form factor between standard profile and low profile, to meet their specific hardware requirements. The DirectPort product family also supports various OS's including Windows 2000/XP/Vista/7 and major Linux distributions to meet today's various software environments.

DB9 Pin Assignments



Multi-port Serial Cards

Specifications

	UPCI2	UPCI2B	UPCI4	UPCI4B	UPCI8SP	UPCI8BSP	UPCI8LP	UPCI8BLP
Serial Ports	2	2	4	4	8	8	8	8
Line Interface	RS232	RS422/RS485	RS232	RS422/RS485	RS232	RS422/RS485	RS232	RS422/RS485
Form Factor	Low Profile/Standard Profile				Standard Profile		Low Profile	
Serial Speed	Up to 921.6 Kbps							
BUS Interface	PCI Local Bus Spec 2.3							
UART Controller	16C550 Compatible							
Connector	DB9 Male							
I/O Address	Automatic Configuration							
IRQ Number	Automatic Configuration							
Surge Protection	±15KV							
Supported OS	Windows 2000/XP/2003/Vista/2008/7, Linux							
Approvals	FCC, CE							
Warranty	1-Year Limited Warranty							

Ordering Information

Part Number	Description
UPCI2SLP	DirectPort UPCI2 2-port universal PCI RS232 serial card w/ DB9 fan-out cable
UPCI2BSLP	DirectPort UPCI2B 2-port universal PCI RS422/485 serial card w/ DB9 fan-out cable
UPCI4SLP	DirectPort UPCI4 4-port universal PCI RS232 serial card w/ DB9 fan-out cable
UPCI4BSLP	DirectPort UPCI4B 4-port universal PCI RS422/485 serial card w/ DB9 fan-out cable
UPCI8SP	DirectPort UPCI8SP 8-port universal PCI RS232 standard profile serial card w/ DB9 fan-out cable
UPCI8BSP	DirectPort UPCI8BSP 8-port universal PCI RS422/485 standard profile serial card w/ DB9 fan-out cable
UPCI8LP	DirectPort UPCI8LP 8-port universal PCI RS232 low profile serial card w/ DB9 fan-out cable
UPCI8BLP	DirectPort UPCI8BLP 8-port universal PCI RS422/485 low profile serial card w/ DB9 fan-out cable

Optional Accessories

Part Number	Description
GEP0601070	2-port DB9 fan-out cable for DirectPort UPCI2/UPCI2B
GEP0601071	4-port DB9 fan-out cable for DirectPort UPCI4/UPCI4B
GEP0601072	8-port DB9 fan-out cable for DirectPort UPCI8SP/UPCI8BSP
GEP0601073	8-port DB9 fan-out cable for DirectPort UPCI8LP
GEP0601074	8-port DB9 fan-out cable for DirectPort UPCI8BLP

www.bluetoothupgrades.de/directport